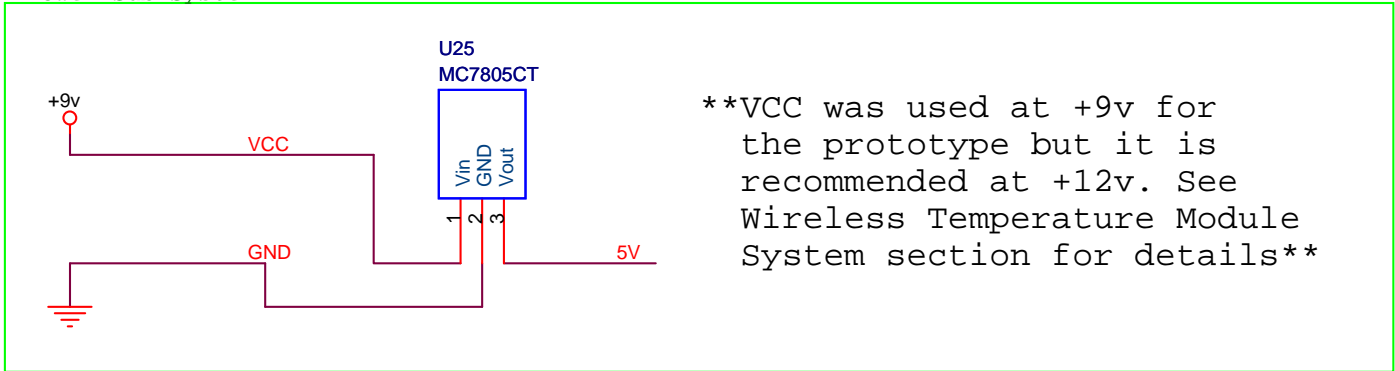
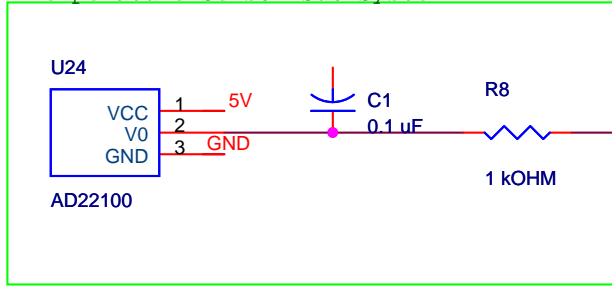


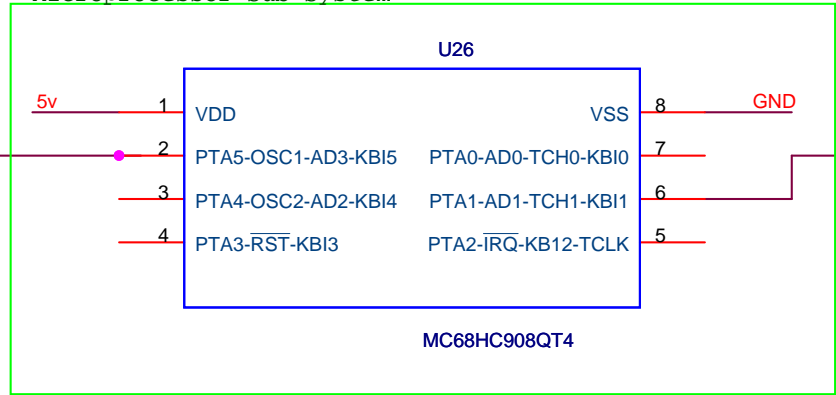
Power Sub System



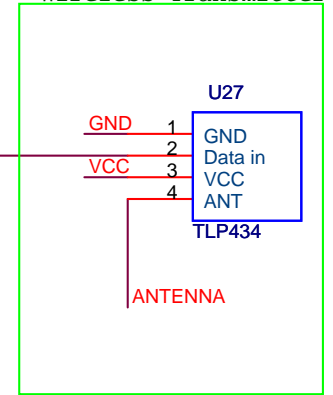
Temperature Sensor Sub System



Microprocessor Sub System



Wireless Transmitter



Title		
Temperature Module		
Size	Document Number	Rev
A	EE459 - 04	<RevCo
www.omair-khan.com		
Date:	Thursday, May 08, 2008	Sheet 1 of 1